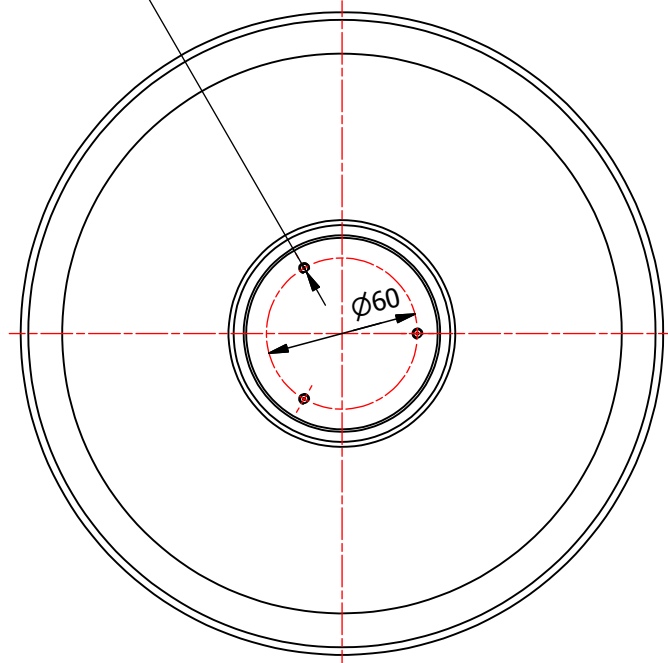
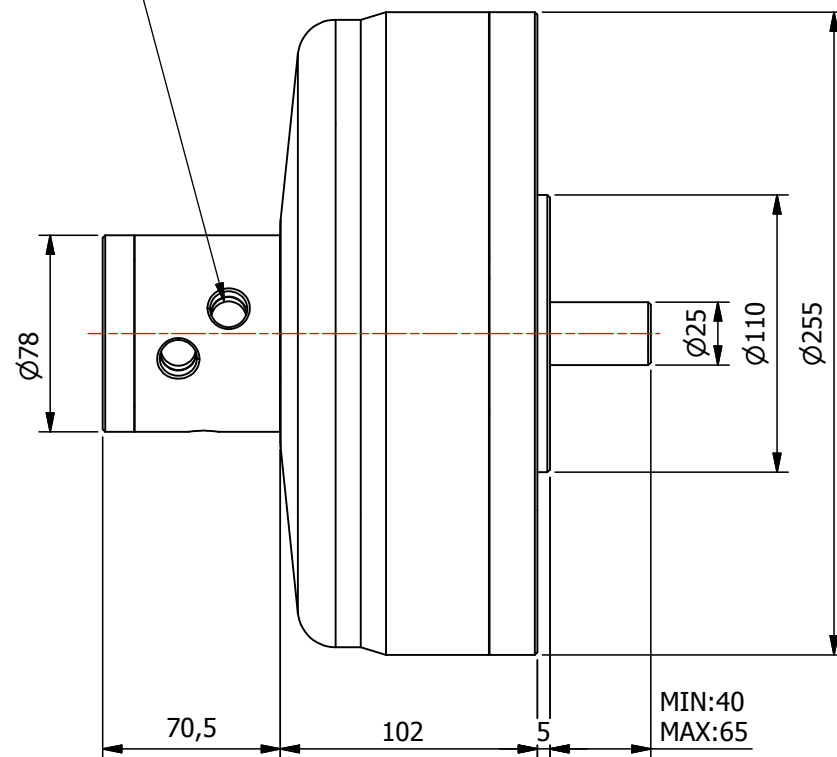


3-M4

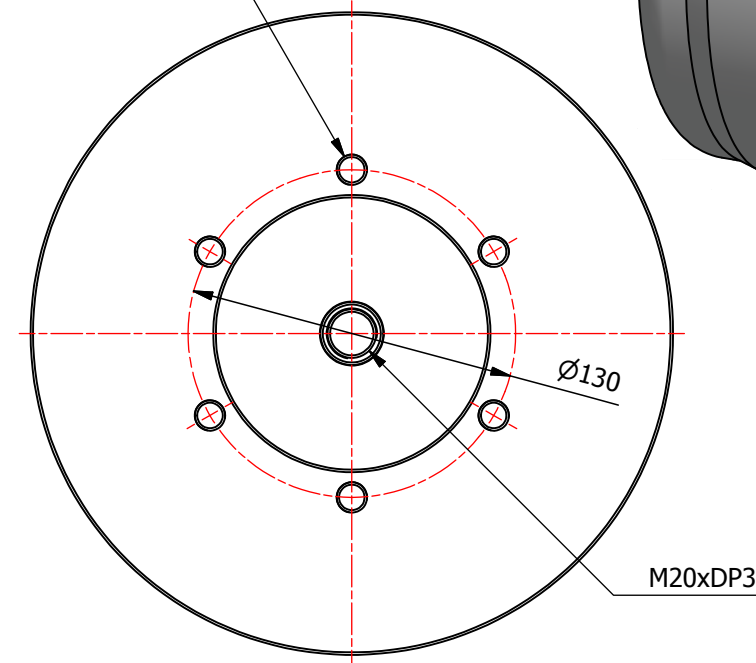


2-PT 3/8

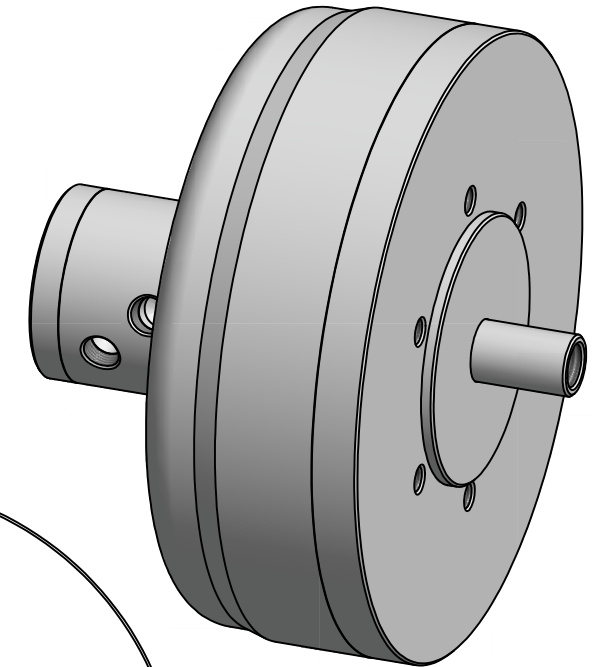


내경 : 220  
스트로크 : 25

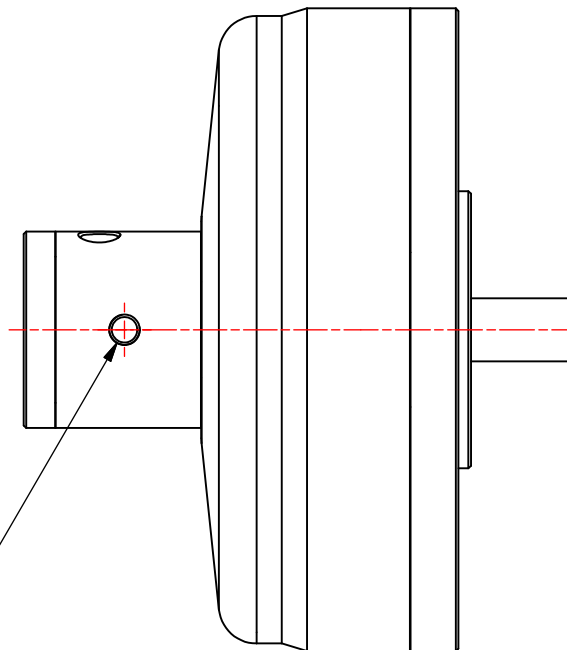
6-M12xDP20




M20xDP35



M12x1.75



NO.	PART NAME	Q'TY	MAT'L	SIZE	REMARK
 <b>DONG HYUP MANUFACTURING PRODUCTS</b>					
DRAWN				DAC	
SCALE	DRAWN	DESIGN	APPROVE	NAME	
UNIT				DAC-2225	
TOLER'				RELATIONAL DWG.NO.	
DATE				DWG. NO.	