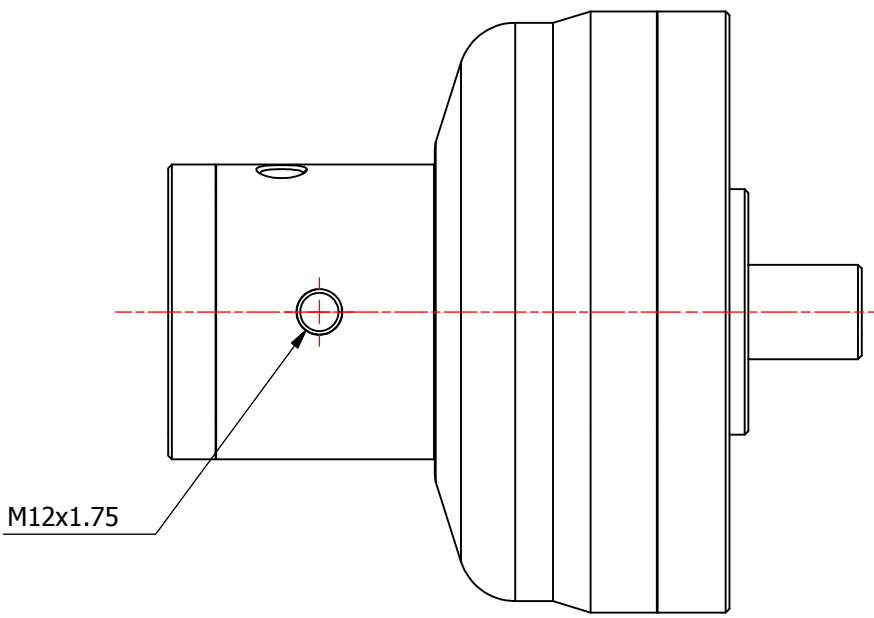
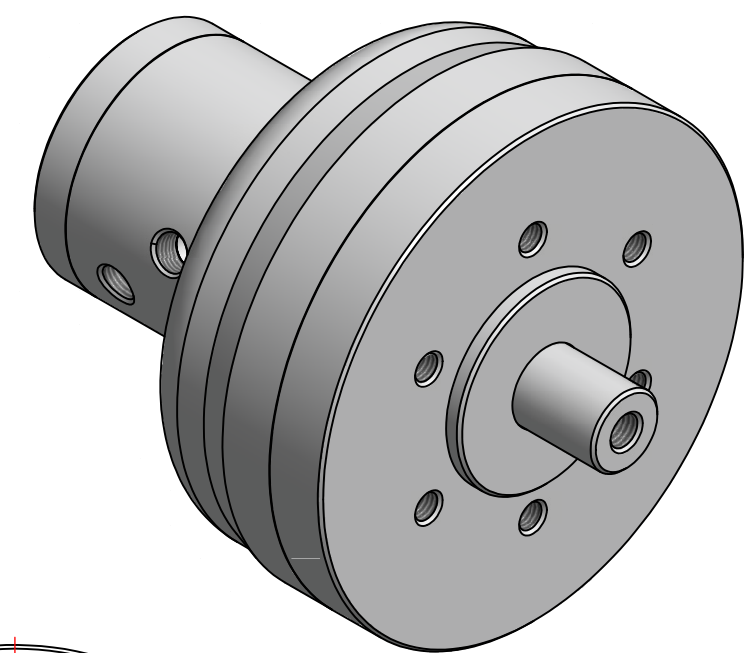
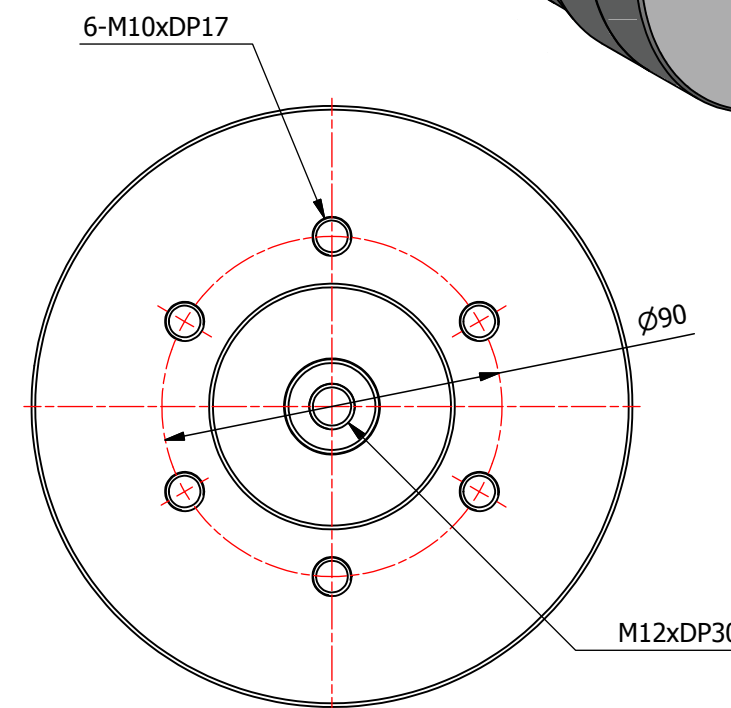



내경 : 130
스트로크 : 15



NO.	PART NAME	Q'TY	MAT'L	SIZE	REMARK
 DONG HYUP MANUFACTURING PRODUCTS					
DRAWN				DAC	
SCALE	DRAWN	DESIGN	APPROVE	NAME	
UNIT				DAC-1315	
TOLER'				RELATIONAL DWG.NO.	
DATE				DWG. NO.	